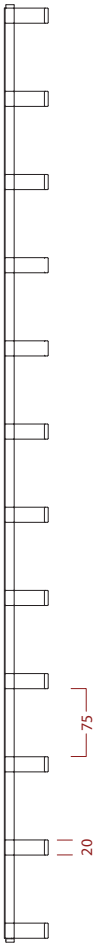


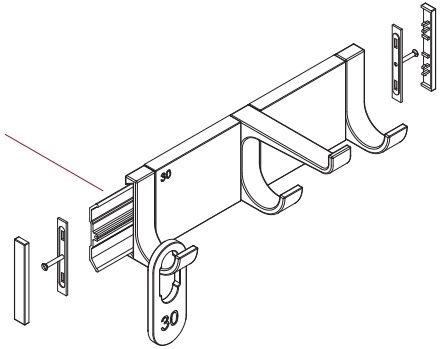
variset single & multiple hooks coat hooks with 75mm spacers

W75

PLAN

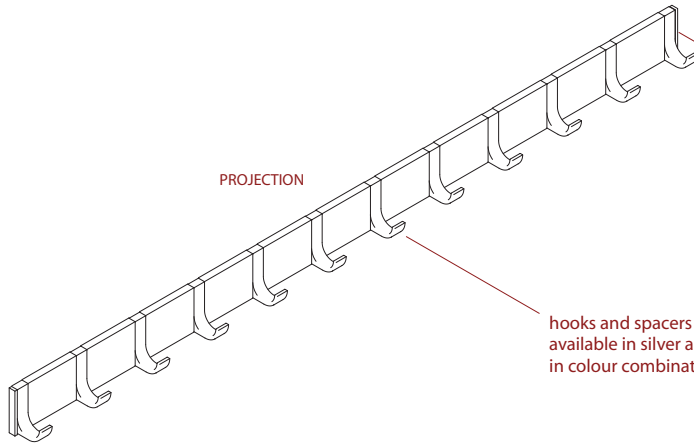


back plate screw
fixed to wall



end caps composed of moulded nylon available
in grey for silver hooks, black for all other colours

PROJECTION



hooks and spacers manufactured in extruded aluminium
available in silver anodised aluminium or powder coated
in colour combinations from the full RAL range



56



72

overall length as required

END ELEVATION

FRONT ELEVATION

please note

standard spacer lengths are 75 and 170mm, special
spacer lengths can be specified and supplied if required.



N10 GENERAL FIXTURES/FURNISHINGS/EQUIPMENT

W75 210 COAT RACKS For Changing Rooms

MANUFACTURER AJ Binns Limited, Harvest House, Cranborne Road, Potters Bar, Hertfordshire, EN6 3JF. Telephone 01707 855 555 fax 01707 857 56

email enq@ajbinns.com web www.ajbinns.com

PRODUCT REFERENCE Description

MATERIAL Material/Material/Material

FINISH/COLOUR Finish/Colour

FITTINGS Fittings/Fittings/Fittings

binns

variset **benches, hooks, hangers & shelves** for changing rooms & cloakrooms
variset® is designed by Royal Designer for Industry Kenneth Grange CBE, RDI

AJ Binns Limited

Harvest House, Cranborne Road
Potters Bar, Hertfordshire EN6 3JF
Telephone 01707 85 5555 Fax 01707 85 7565
email enq@ajbinns.com
web www.ajbinns.com