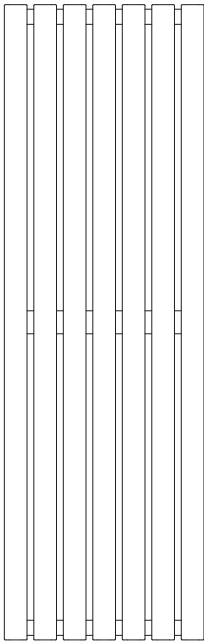


# variset VZ range double width island bench with seven slats

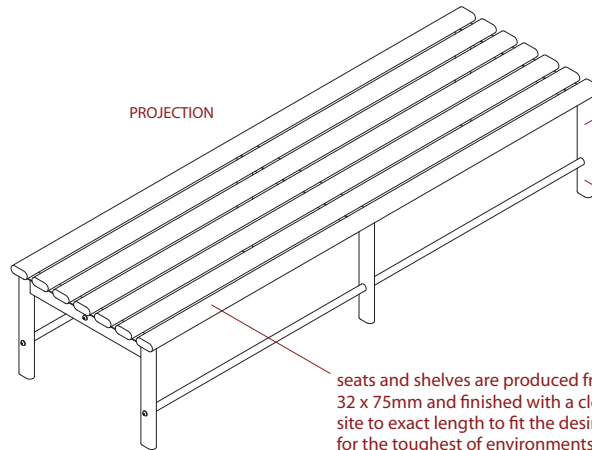
# VZ3

PLAN



660

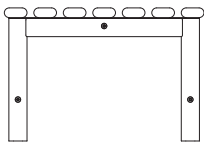
PROJECTION



the finish of the range is powder coated in colour combinations from the full RAL range

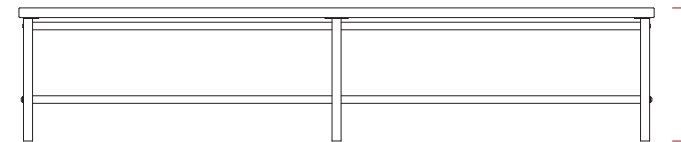
framework is made from hollow section heavy gauge steel tube and is a fully welded assembly

seats and shelves are produced from sustainable european white beech slats 32 x 75mm and finished with a clear acid-catalysed lacquer. slats are trimmed on site to exact length to fit the desired space. aluminium seating slats are available for the toughest of environments or where a high level of humidity is present



630

END ELEVATION



435

overall length as required  
equally spaced supports at maximum 1250mm centres

FRONT ELEVATION



## N10 GENERAL FIXTURES/FURNISHINGS/EQUIPMENT

### VZ3 170 BENCHES For Changing Rooms

MANUFACTURER AJ Binns Limited, Harvest House, Cranborne Road, Potters Bar, Hertfordshire, EN6 3JF. Telephone 01707 855 555 fax 01707 857 56

email [enq@ajbinns.com](mailto:enq@ajbinns.com) web [www.ajbinns.com](http://www.ajbinns.com)

PRODUCT REFERENCE Binns VZ3 Bench Unit. A double width island bench unit.

MATERIAL Mild Steel

FINISH/COLOUR Powder Coated

FITTINGS Beech Slats/Powder Coated Aluminium Slats

# binns

variset **benches, hooks, hangers & shelves** for changing rooms & cloakrooms  
variset® is designed by Royal Designer for Industry Kenneth Grange CBE, RDI

### AJ Binns Limited

Harvest House, Cranborne Road  
Potters Bar, Hertfordshire EN6 3JF  
Telephone 01707 85 5555 Fax 01707 85 7565  
email [enq@ajbinns.com](mailto:enq@ajbinns.com)  
web [www.ajbinns.com](http://www.ajbinns.com)