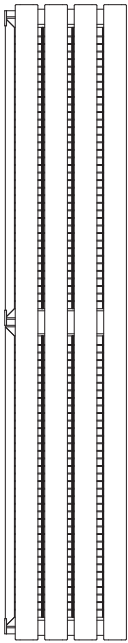


variset VZ range
wall bench with four slats
and shoetray for low density walls

VZ8-4

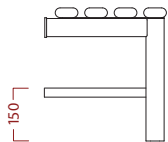
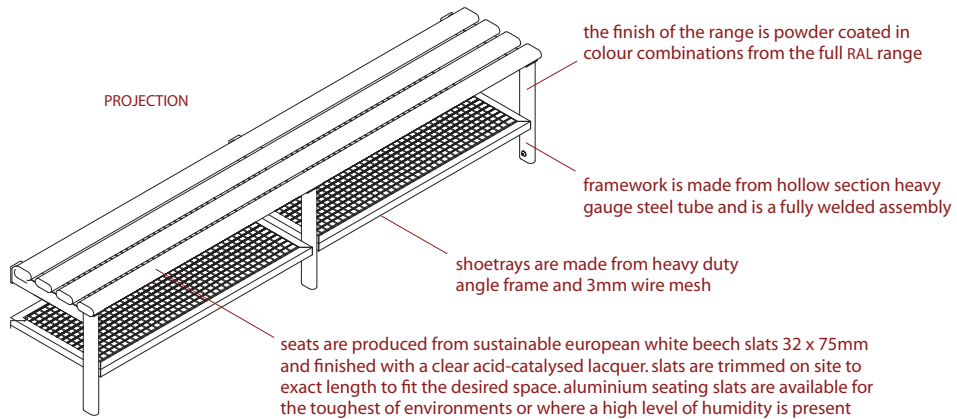
sports england compliant

PLAN



435

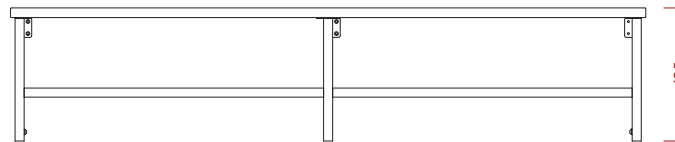
PROJECTION



150

450

END ELEVATION



435

overall length as required
 equally spaced supports at maximum 1250mm centres

FRONT ELEVATION



N10 GENERAL FIXTURES/FURNISHINGS/EQUIPMENT

VZ8-4 170 BENCHES For Changing Rooms

MANUFACTURER AJ Binns Limited, Harvest House, Cranborne Road, Potters Bar, Hertfordshire, EN6 3JF. Telephone 01707 855 555 fax 01707 857 56

email enq@ajbinns.com web www.ajbinns.com

PRODUCT REFERENCE Binns VZ8-4 Bench Unit. A wall/floor bench unit with 4 slats and a shoetray.

MATERIAL Mild Steel

FINISH/COLOUR Powder Coated

FITTINGS Beech Slats/Powder Coated Aluminium Slats

binns

variset **benches, hooks, hangers & shelves** for changing rooms & cloakrooms
 variset® is designed by Royal Designer for Industry Kenneth Grange CBE, RDI

AJ Binns Limited

Harvest House, Cranborne Road
 Potters Bar, Hertfordshire EN6 3JF
 Telephone 01707 85 5555 Fax 01707 85 7565
 email enq@ajbinns.com
 web www.ajbinns.com