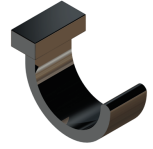
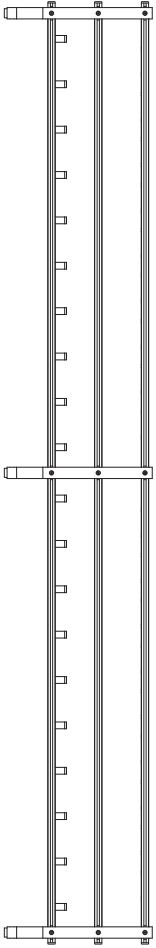


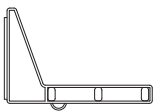
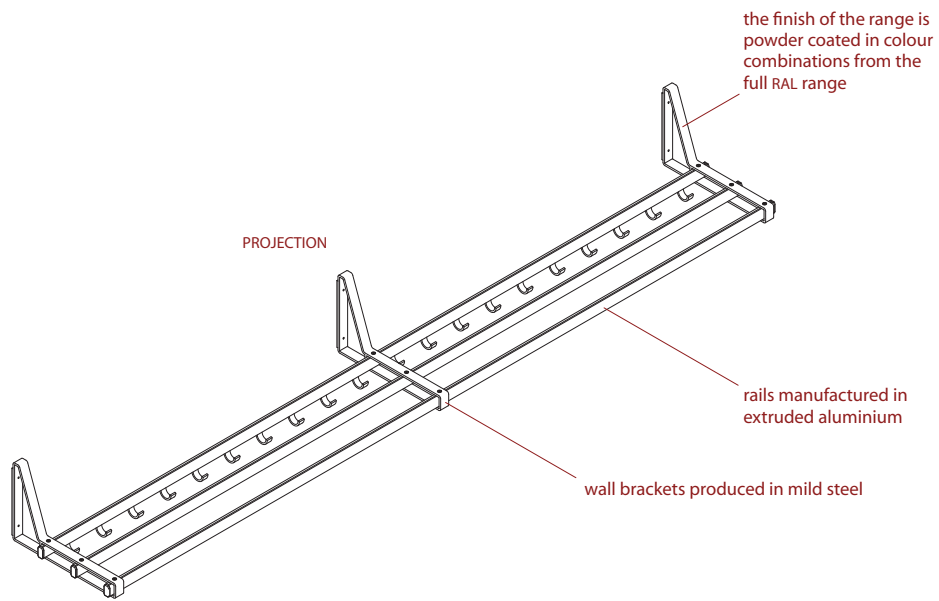
**variset** NV range  
 wall fixed shelf with one row  
 of nylon hooks

# NV2.1

PLAN

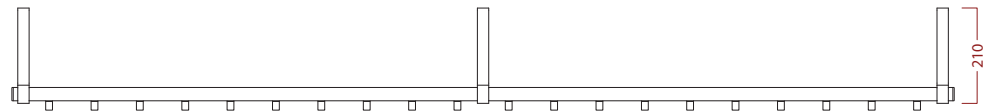


PROJECTION



330

END ELEVATION



overall length as required  
 equally spaced supports at maximum 1000mm centres

FRONT ELEVATION



**N10 GENERAL FIXTURES/FURNISHINGS/EQUIPMENT**

**NV2.1 210 COAT RACKS For Changing Rooms**

**MANUFACTURER** AJ Binns Limited, Harvest House, Cranborne Road, Potters Bar, Hertfordshire, EN6 3JF. Telephone 01707 855 555 fax 01707 857 56

email enq@ajbinns.com web www.ajbinns.com

**PRODUCT REFERENCE** Binns NV2.1 Shelf. Wall mounted shelf and coat hook system. (Requires at least medium density blockwork walls)

**MATERIAL** Brackets: Mild Steel. Rails: Aluminium. Hooks: Nylon.

**FINISH/COLOUR** Brackets: Powder Coated. Rails: Anodized/Powder Coated (delete as necessary).

**OPTIONS** Numbering/ Claimers

## binns

variset **benches, hooks, hangers & shelves** for changing rooms & cloakrooms  
 variset® is designed by Royal Designer for Industry Kenneth Grange CBE, RDI

**AJ Binns Limited**

Harvest House, Cranborne Road  
 Potters Bar, Hertfordshire EN6 3JF  
 Telephone 01707 85 5555 Fax 01707 85 7565  
 email enq@ajbinns.com  
 web www.ajbinns.com